



demma

1、风扇测试方法 Fan test method



- 1.1 电流: 电流在持续旋转3分钟后测量
- 1.2 转速: 速率在持续旋转3分钟后测量
- 1.3 起动电压: 打开开关“ON”后, 能够起动风扇运作的电压
- 1.4 输入功率: 输入功率在持续旋转3分钟后测量
- 1.5 锁定电流: 可以锁机的风扇, 锁定电流在清新空气中锁机3分钟测定
- 1.6 空气流量数据及压力数据测定根据“AMCA标准”或者DIN24163规则, 该数据测定在双压力仓进行, 并需测定压力仓各边所承受的压力数据
- 1.7 噪音标准: 噪音标准测试参照DIN45635标准, 测量在隔音室内进行, 将麦克风置于风扇一米处

2、风扇保护试验 Fan protection test

- 2.1 转体锁定保护
 - 2.1.1 几个风扇扇叶连在一起固定限制其旋转, 如果风扇及电子组件不会损坏, 限制旋转的组件被解松则风扇可自动重新启动旋转
 - 2.1.2 小电流或者带AUTO start功能的风扇, 在通电旋转状态将风扇扇叶锁定, 持续72小时之后, 松开被锁定扇叶, 风扇立即自动重转, 证明风扇无异常
 - 2.1.3 大电流或不带Auto start 功能的风扇, 不可长时间锁定, 否则风扇会过热损坏
- 2.2 极性保护

电压正常条件下, 如果反接电源对风扇通电15分钟, 断电后重新按正常两极连接, 所有功能将正常
- 2.3 自由跌落

单体同600mm高空跌落到30mm厚的木板上, 风扇6个表面中的任何一面和一角均经得起跌落试验, 并确认无损伤
- 2.4 绝缘阻抗

在500V直流电条件下, 外框与导线正极电阻不少于10mΩ
- 2.5 绝缘强度

在5mA漏电流, AC500V条件下持续60秒, 风扇外框与导线无异常, 证明绝缘良好

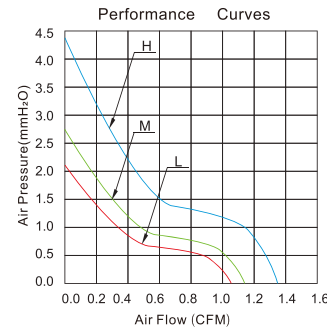
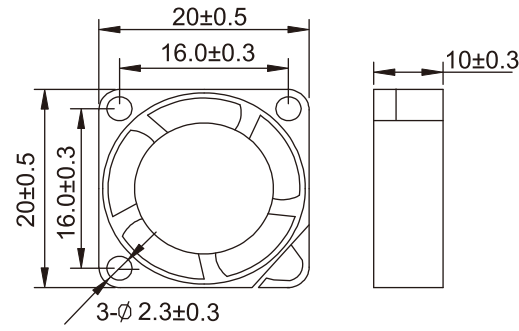
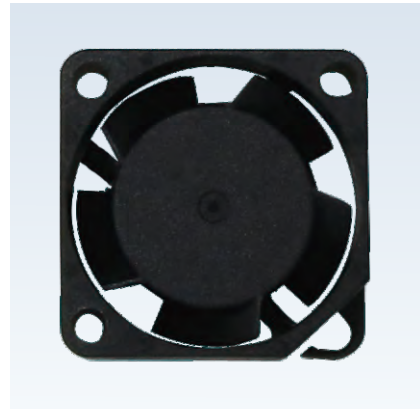
3、电压/轴承类型 Voltage / bearing type

直流风机电压: 5V、12V、24V
轴承类型: 含油(S)、滚珠(B)、液压(H)

4、命名方式 Model meanings

DC	EC	BF	BFS	2010	S	L	H
直流风机代号	EC风机代号	鼓风机代号	方形鼓风机代号	20: 外框尺寸 10: 风机厚度	轴承类型 S: 含油轴承 B: 滚珠轴承 H: 液压轴承	接线方式 L: 引线式 T: 端子式	风机转速 H: 高速 M: 中速 L: 低速

DC-2010系列

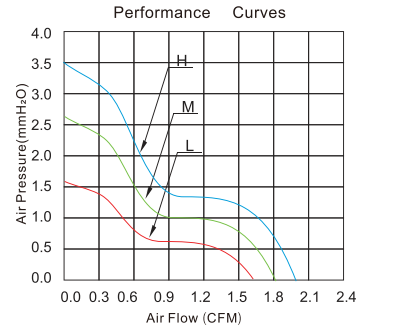
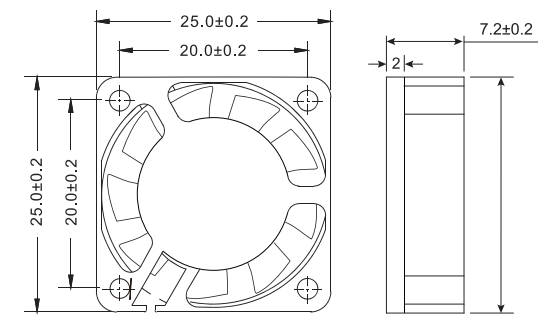


风扇参数说明

- 外框/扇叶材质: 塑料
- 电机保护: 阻抗保护、反极性保护
- 操作温度: 温度:-10°C~70°C 湿度:35%~85%RH
- 一般规格: 引线:UL型 (+)红 (-)黑
- 防火等级: UL 94V-0
- 存储温度: 温度:-40°C~70°C 湿度:35%~85%RH

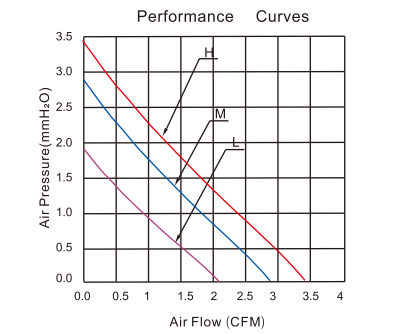
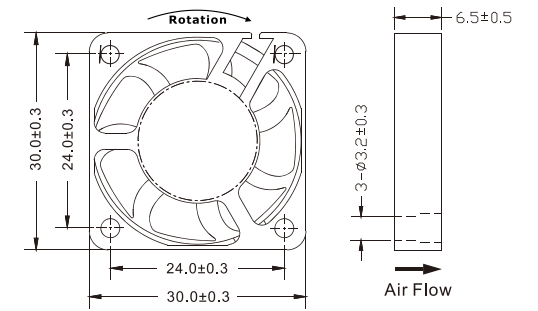
型号	轴承形式	额定电压 (V)	额定电流 (A)	输入功率 (W)	风扇转速 (RPM)	空气流 (CFM)	静态压力 (mm-H2O)	噪声 (dB-A)	尺寸 (mm)	订货号
DC2010SLL	含油	5V	0.06	0.5	10,000 ± 10%	1.05	2.16	20	20 X 20 X 10	1-0110015101
DC2010BLL	滚珠	5V	0.06	0.5	10,000 ± 10%	1.05	2.16	20	20 X 20 X 10	1-0110015102
DC2010HLL	液压	5V	0.06	0.5	10,000 ± 10%	1.05	2.16	20	20 X 20 X 10	1-0110015103
DC2010SLM	含油	5V	0.08	0.75	12,000 ± 10%	1.15	2.65	24	20 X 20 X 10	1-0110015104
DC2010BLM	滚珠	5V	0.08	0.75	12,000 ± 10%	1.15	2.65	24	20 X 20 X 10	1-0110015105
DC2010HLM	液压	5V	0.08	0.75	12,000 ± 10%	1.15	2.65	24	20 X 20 X 10	1-0110015106
DC2010SLH	含油	5V	0.13	1.0	14,000 ± 10%	1.35	4.3	28	20 X 20 X 10	1-0110015107
DC2010BLH	滚珠	5V	0.13	1.0	14,000 ± 10%	1.35	4.3	28	20 X 20 X 10	1-0110015108
DC2010HLH	液压	5V	0.13	1.0	14,000 ± 10%	1.35	4.3	28	20 X 20 X 10	1-0110015109
DC2010SLL	含油	12V	0.03	0.84	10,000 ± 10%	1.05	2.16	20	20 X 20 X 10	1-0110015110
DC2010BLL	滚珠	12V	0.03	0.84	10,000 ± 10%	1.05	2.16	20	20 X 20 X 10	1-0110015111
DC2010HLL	液压	12V	0.03	0.84	10,000 ± 10%	1.05	2.16	20	20 X 20 X 10	1-0110015112
DC2010SLM	含油	12V	0.05	1.2	12,000 ± 10%	1.15	2.65	24	20 X 20 X 10	1-0110015113
DC2010BLM	滚珠	12V	0.05	1.2	12,000 ± 10%	1.15	2.65	24	20 X 20 X 10	1-0110015114
DC2010HLM	液压	12V	0.05	1.2	12,000 ± 10%	1.15	2.65	24	20 X 20 X 10	1-0110015115
DC2010SLH	含油	12V	0.08	1.8	14,000 ± 10%	1.35	4.3	28	20 X 20 X 10	1-0110015116
DC2010BLH	滚珠	12V	0.08	1.8	14,000 ± 10%	1.35	4.3	28	20 X 20 X 10	1-0110015117
DC2010HLH	液压	12V	0.08	1.8	14,000 ± 10%	1.35	4.3	28	20 X 20 X 10	1-0110015118

DC-2507系列



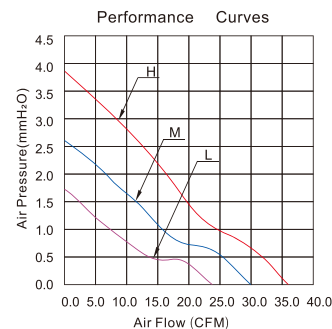
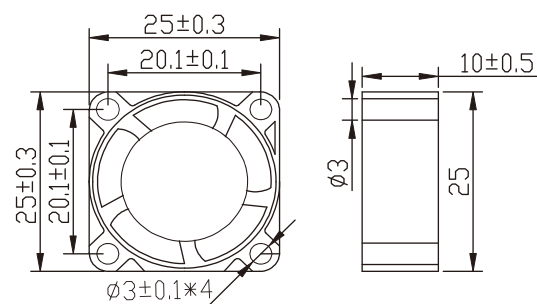
型号	轴承形式	额定电压 (V)	额定电流 (A)	输入功率 (W)	风扇转速 (RPM)	空气流 (CFM)	静态压力 (mm-H2O)	噪声 (dB-A)	尺寸 (mm)	订货号
DC2507SLL	含油	5V	0.12	0.6	8,000 ± 10%	1.6	1.58	15.77	25 X 25 X 07	1-0110015119
DC2507SLM	含油	5V	0.14	0.7	9,000 ± 10%	1.8	2.64	20.3	25 X 25 X 07	1-0110015120
DC2507SLH	含油	5V	0.15	0.75	10,000 ± 10%	1.92	3.55	22.7	25 X 25 X 07	1-0110015121
DC2507SLL	含油	12V	0.06	0.72	8,000 ± 10%	1.6	1.58	15.77	25 X 25 X 07	1-0110015122
DC2507SLM	含油	12V	0.07	0.84	9,000 ± 10%	1.8	2.64	20.3	25 X 25 X 07	1-0110015123
DC2507SLH	含油	12V	0.08	0.96	10,000 ± 10%	1.92	3.55	22.7	25 X 25 X 07	1-0110015124

DC-3006系列



型号	轴承形式	额定电压 (V)	额定电流 (A)	输入功率 (W)	风扇转速 (RPM)	空气流 (CFM)	静态压力 (mm-H2O)	噪声 (dB-A)	尺寸 (mm)	订货号
DC3006SLL	含油	5V	0.11	0.85	7,500 ± 10%	2.2	1.9	25	30 X 30 X 06	1-0110015125
DC3006SLM	含油	5V	0.18	0.9	9,000 ± 10%	2.9	2.8	29	30 X 30 X 06	1-0110015126
DC3006SLH	含油	5V	0.2	1	10,500 ± 10%	3.4	3.4	33	30 X 30 X 06	1-0110015127
DC3006SLL	含油	12V	0.08	0.96	7,500 ± 10%	2.2	1.9	25	30 X 30 X 06	1-0110015128
DC3006SLM	含油	12V	0.1	1.2	9,000 ± 10%	2.9	2.8	29	30 X 30 X 06	1-0110015129
DC3006SLH	含油	12V	0.12	1.44	10,500 ± 10%	3.4	3.4	33	30 X 30 X 06	1-0110015130

DC-2510系列

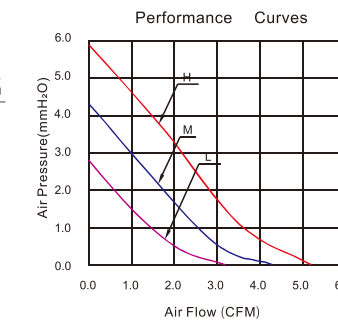
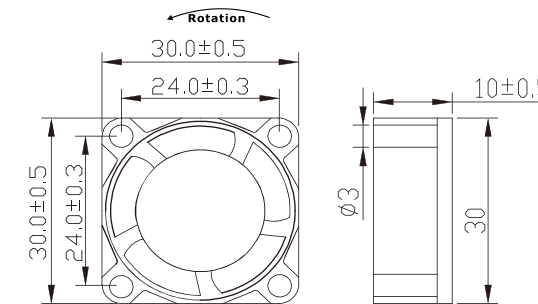


风扇参数说明

- 外框/扇叶材质: 塑料
- 电机保护: 阻抗保护、反极性保护
- 操作温度: 温度:-10°C~70°C 湿度:35%~85%RH
- 一般规格: 引线:UL型 (+)红 (-)黑
- 防火等级: UL 94V-0
- 存储温度: 温度:-40°C~70°C 湿度:35%~85%RH

型号	轴承形式	额定电压 (V)	额定电流 (A)	输入功率 (W)	风扇转速 (RPM)	空气流 (CFM)	静态压力 (mm-H ₂ O)	噪声 (dB-A)	尺寸 (mm)	订货号
DC2510SLL	含油	5V	0.11	0.55	7,000 ± 10%	1.4	2.5	19	25 X 25 X 10	1-0110015131
DC2510BLL	滚珠	5V	0.11	0.55	7,000 ± 10%	1.4	2.5	19	25 X 25 X 10	1-0110015132
DC2510SLM	含油	5V	0.16	0.8	10,000 ± 10%	2.3	4.6	23	25 X 25 X 10	1-0110015133
DC2510BLM	滚珠	5V	0.16	0.8	10,000 ± 10%	2.3	4.6	23	25 X 25 X 10	1-0110015134
DC2510SLH	含油	5V	0.2	1.0	13,000 ± 10%	3	8.1	30	25 X 25 X 10	1-0110015135
DC2510BLH	滚珠	5V	0.2	1.0	13,000 ± 10%	3	8.1	30	25 X 25 X 10	1-0110015136
DC2510SLL	含油	12V	0.07	0.84	7,000 ± 10%	1.4	2.5	19	25 X 25 X 10	1-0110015137
DC2510BLL	滚珠	12V	0.07	0.84	7,000 ± 10%	1.4	2.5	19	25 X 25 X 10	1-0110015138
DC2510SLM	含油	12V	0.08	0.96	10,000 ± 10%	2.3	4.6	23	25 X 25 X 10	1-0110015139
DC2510BLM	滚珠	12V	0.08	0.96	10,000 ± 10%	2.3	4.6	23	25 X 25 X 10	1-0110015140
DC2510SLH	含油	12V	0.1	1.2	13,000 ± 10%	3	8.13	30	25 X 25 X 10	1-0110015141
DC2510BLH	滚珠	12V	0.1	1.2	13,000 ± 10%	3	8.13	30	25 X 25 X 10	1-0110015142
DC2510SLL	含油	24V	0.04	0.96	7,000 ± 10%	1.8	0.17	20	25 X 25 X 10	1-0110015143
DC2510BLL	滚珠	24V	0.04	0.96	7,000 ± 10%	1.8	0.17	20	25 X 25 X 10	1-0110015144
DC2510SLM	含油	24V	0.06	1.44	10,000 ± 10%	2.3	0.24	23	25 X 25 X 10	1-0110015145
DC2510BLM	滚珠	24V	0.06	1.44	10,000 ± 10%	2.3	0.24	23	25 X 25 X 10	1-0110015146
DC2510SLH	含油	24V	0.09	2.16	13,000 ± 10%	3.2	0.32	30	25 X 25 X 10	1-0110015147
DC2510BLH	滚珠	24V	0.09	2.16	13,000 ± 10%	3.2	0.32	30	25 X 25 X 10	1-0110015148

DC-3010系列

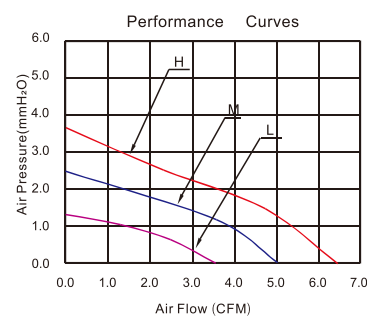
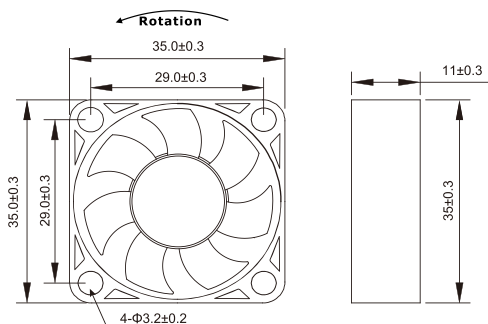


风扇参数说明

- 外框/扇叶材质: 塑料
- 电机保护: 阻抗保护、反极性保护
- 操作温度: 温度:-10°C~70°C 湿度:35%~85%RH
- 一般规格: 引线:UL型 (+)红 (-)黑
- 防火等级: UL 94V-0
- 存储温度: 温度:-40°C~70°C 湿度:35%~85%RH

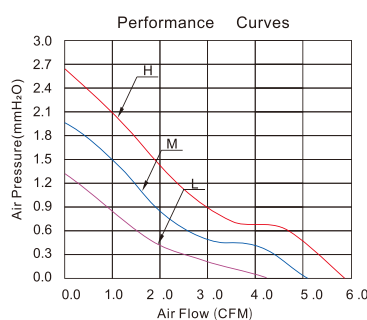
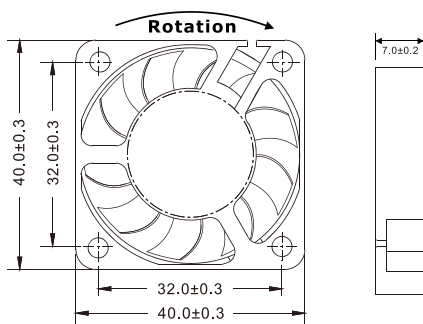
型号	轴承形式	额定电压 (V)	额定电流 (A)	输入功率 (W)	风扇转速 (RPM)	空气流 (CFM)	静态压力 (mm-H ₂ O)	噪声 (dB-A)	尺寸 (mm)	订货号
DC3010SLL	含油	5V	0.16	0.8	7,000 ± 10%	3.2	2.8	23	30 X 30 X 10	1-0110015149
DC3010BLL	滚珠	5V	0.16	0.8	7,000 ± 10%	3.2	2.8	23	30 X 30 X 10	1-0110015150
DC3010HLL	液压	5V	0.16	0.8	7,000 ± 10%	3.2	2.8	23	30 X 30 X 10	1-0110015151
DC3010SLM	含油	5V	0.2	1.0	9,000 ± 10%	4.3	4.3	27	30 X 30 X 10	1-0110015152
DC3010BLM	滚珠	5V	0.2	1.0	9,000 ± 10%	4.3	4.3	27	30 X 30 X 10	1-0110015153
DC3010HLM	液压	5V	0.2	1.0	9,000 ± 10%	4.3	4.3	27	30 X 30 X 10	1-0110015154
DC3010SLH	含油	5V	0.26	1.3	11,000 ± 10%	5.2	5.9	32	30 X 30 X 10	1-0110015155
DC3010BLH	滚珠	5V	0.26	1.3	11,000 ± 10%	5.2	5.9	32	30 X 30 X 10	1-0110015156
DC3010HLH	液压	5V	0.26	1.3	11,000 ± 10%	5.2	5.9	32	30 X 30 X 10	1-0110015157
DC3010SLL	含油	12V	0.09	1.08	7,000 ± 10%	3.2	2.8	23	30 X 30 X 10	1-0110015158
DC3010BLL	滚珠	12V	0.09	1.08	7,000 ± 10%	3.2	2.8	23	30 X 30 X 10	1-0110015159
DC3010HLL	液压	12V	0.09	1.08	7,000 ± 10%	3.2	2.8	23	30 X 30 X 10	1-0110015160
DC3010SLM	含油	12V	0.12	1.44	9,000 ± 10%	4.3	4.3	27	30 X 30 X 10	1-0110015161
DC3010BLM	滚珠	12V	0.12	1.44	9,000 ± 10%	4.3	4.3	27	30 X 30 X 10	1-0110015162
DC3010HLM	液压	12V	0.12	1.44	9,000 ± 10%	4.3	4.3	27	30 X 30 X 10	1-0110015163
DC3010SLH	含油	12V	0.15	1.8	11,000 ± 10%	5.2	5.9	32	30 X 30 X 10	1-0110015164
DC3010BLH	滚珠	12V	0.15	1.8	11,000 ± 10%	5.2	5.9	32	30 X 30 X 10	1-0110015165
DC3010HLH	液压	12V	0.15	1.8	11,000 ± 10%	5.2	5.9	32	30 X 30 X 10	1-0110015166
DC3010SLL	含油	24V	0.05	1.2	7,000 ± 10%	3.2	2.8	23	30 X 30 X 10	1-0110015167
DC3010BLL	滚珠	24V	0.05	1.2	7,000 ± 10%	3.2	2.8	23	30 X 30 X 10	1-0110015168
DC3010HLL	液压	24V	0.05	1.2	7,000 ± 10%	3.2	2.8	23	30 X 30 X 10	1-0110015169
DC3010SLM	含油	24V	0.08	1.92	9,000 ± 10%	4.3	4.3	27	30 X 30 X 10	1-0110015170
DC3010BLM	滚珠	24V	0.08	1.92	9,000 ± 10%	4.3	4.3	27	30 X 30 X 10	1-0110015171
DC3010HLM	液压	24V	0.08	1.92	9,000 ± 10%	4.3	4.3	27	30 X 30 X 10	1-0110015172
DC3010SLH	含油	24V	0.11	2.64	11,000 ± 10%	5.2	5.9	32	30 X 30 X 10	1-0110015173
DC3010BLH	滚珠	24V	0.11	2.64	11,000 ± 10%	5.2	5.9	32	30 X 30 X 10	1-0110015174
DC3010HLH	液压	24V	0.11	2.64	11,000 ± 10%	5.2	5.9	32	30 X 30 X 10	1-0110015175

DC-3510系列



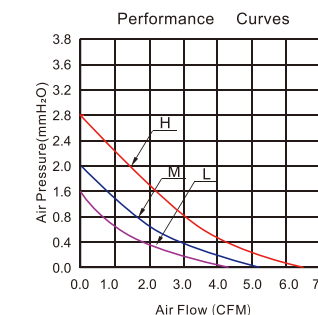
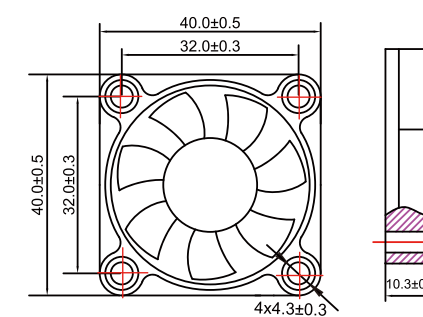
型号	轴承形式	额定电压 (V)	额定电流 (A)	输入功率 (W)	风扇转速 (RPM)	空气流 (CFM)	静态压力 (mm-H2O)	噪声 (dB-A)	尺寸 (mm)	订货号
DC3510SLL	含油	5V	0.14	0.7	5,000 ± 10%	3.5	1.3	23	35 X 35 X 10	1-0110015176
DC3510HLL	液压	5V	0.14	0.7	5,000 ± 10%	3.5	1.3	23	35 X 35 X 10	1-0110015177
DC3510SLM	含油	5V	0.16	0.8	7,000 ± 10%	5.0	2.5	27	35 X 35 X 10	1-0110015178
DC3510HLM	液压	5V	0.16	0.8	7,000 ± 10%	5.0	2.5	27	35 X 35 X 10	1-0110015179
DC3510SLH	含油	5V	0.2	1.0	9,000 ± 10%	6.5	3.7	31	35 X 35 X 10	1-0110015180
DC3510HLH	液压	5V	0.2	1.0	9,000 ± 10%	6.5	3.7	31	35 X 35 X 10	1-0110015181
DC3510SLL	含油	12V	0.08	0.96	5,000 ± 10%	3.5	1.3	23	35 X 35 X 10	1-0110015182
DC3510HLL	液压	12V	0.08	0.96	5,000 ± 10%	3.5	1.3	23	35 X 35 X 10	1-0110015183
DC3510SLM	含油	12V	0.1	1.2	7,000 ± 10%	5.0	2.5	27	35 X 35 X 10	1-0110015184
DC3510HLM	液压	12V	0.1	1.2	7,000 ± 10%	5.0	2.5	27	35 X 35 X 10	1-0110015185
DC3510SLH	含油	12V	0.12	1.44	9,000 ± 10%	6.5	3.7	31	35 X 35 X 10	1-0110015186
DC3510HLH	液压	12V	0.12	1.44	9,000 ± 10%	6.5	3.7	31	35 X 35 X 10	1-0110015187

DC-4007系列



型号	轴承形式	额定电压 (V)	额定电流 (A)	输入功率 (W)	风扇转速 (RPM)	空气流 (CFM)	静态压力 (mm-H2O)	噪声 (dB-A)	尺寸 (mm)	订货号
DC4007SLL	含油	5V	0.13	0.65	4,500 ± 10%	4.12	1.23	20	40 X 40 X 07	1-0110015188
DC4007SLM	含油	5V	0.16	0.8	5,500 ± 10%	5.16	1.86	22	40 X 40 X 07	1-0110015189
DC4007SLH	含油	5V	0.25	1.25	6,500 ± 10%	5.85	2.66	26	40 X 40 X 07	1-0110015190
DC4007SLL	含油	12V	0.11	1.32	4,500 ± 10%	4.12	1.23	20	40 X 40 X 07	1-0110015191
DC4007SLM	含油	12V	0.14	1.68	5,500 ± 10%	5.16	1.86	22	40 X 40 X 07	1-0110015192
DC4007SLH	含油	12V	0.17	2.04	6,500 ± 10%	5.85	2.66	26	40 X 40 X 07	1-0110015193

DC-4010系列

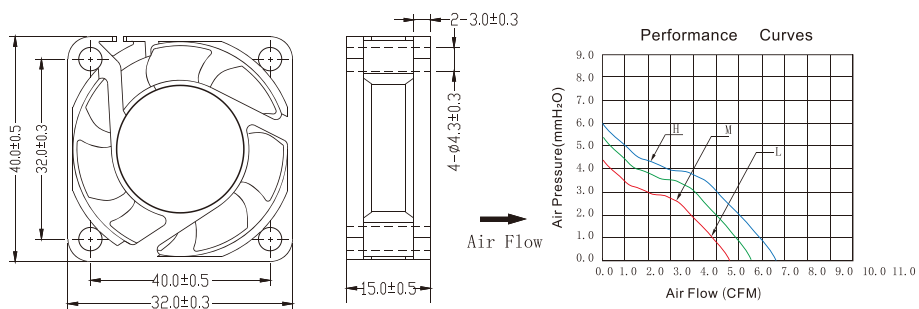


风扇参数说明

- 外框/扇叶材质: 塑料
- 电机保护: 阻抗保护、反极性保护
- 操作温度: 温度: -10°C~70°C 湿度: 35%~85%RH
- 一般规格: 引线: UL型 (+)红 (-)黑
- 防火等级: UL 94V-0
- 存储温度: 温度: -40°C~70°C 湿度: 35%~85%RH

型号	轴承形式	额定电压 (V)	额定电流 (A)	输入功率 (W)	风扇转速 (RPM)	空气流 (CFM)	静态压力 (mm-H2O)	噪声 (dB-A)	尺寸 (mm)	订货号
DC4010SLL	含油	5V	0.1	0.35	4,000 ± 10%	4.2	1.6	21	40 X 40 X 10	1-0110015194
DC4010BLL	滚珠	5V	0.1	0.35	4,000 ± 10%	4.2	1.6	21	40 X 40 X 10	1-0110015195
DC4010HLL	液压	5V	0.1	0.35	4,000 ± 10%	4.2	1.6	21	40 X 40 X 10	1-0110015196
DC4010SLM	含油	5V	0.12	0.45	5,000 ± 10%	5.2	2.0	24	40 X 40 X 10	1-0110015197
DC4010BLM	滚珠	5V	0.12	0.45	5,000 ± 10%	5.2	2.0	24	40 X 40 X 10	1-0110015198
DC4010HLM	液压	5V	0.12	0.45	5,000 ± 10%	5.2	2.0	24	40 X 40 X 10	1-0110015199
DC4010SLH	含油	5V	0.14	0.6	6,000 ± 10%	6.4	2.8	28	40 X 40 X 10	1-0110015200
DC4010BLH	滚珠	5V	0.14	0.6	6,000 ± 10%	6.4	2.8	28	40 X 40 X 10	1-0110015201
DC4010HLH	液压	5V	0.14	0.6	6,000 ± 10%	6.4	2.8	28	40 X 40 X 10	1-0110015202
DC4010SLL	含油	12V	0.04	0.48	4,000 ± 10%	4.2	1.6	21	40 X 40 X 10	1-0110015203
DC4010BLL	滚珠	12V	0.04	0.48	4,000 ± 10%	4.2	1.6	21	40 X 40 X 10	1-0110015204
DC4010HLL	液压	12V	0.04	0.48	4,000 ± 10%	4.2	1.6	21	40 X 40 X 10	1-0110015205
DC4010SLM	含油	12V	0.05	0.6	5,000 ± 10%	5.2	2.0	24	40 X 40 X 10	1-0110015206
DC4010BLM	滚珠	12V	0.05	0.6	5,000 ± 10%	5.2	2.0	24	40 X 40 X 10	1-0110015207
DC4010HLM	液压	12V	0.05	0.6	5,000 ± 10%	5.2	2.0	24	40 X 40 X 10	1-0110015208
DC4010SLH	含油	12V	0.07	0.84	6,000 ± 10%	6.4	2.8	28	40 X 40 X 10	1-0110015209
DC4010BLH	滚珠	12V	0.07	0.84	6,000 ± 10%	6.4	2.8	28	40 X 40 X 10	1-0110015210
DC4010HLH	液压	12V	0.07	0.84	6,000 ± 10%	6.4	2.8	28	40 X 40 X 10	1-0110015211
DC4010SLL	含油	24V	0.03	0.72	4,000 ± 10%	4.2	1.6	21	40 X 40 X 10	1-0110015212
DC4010BLL	滚珠	24V	0.03	0.72	4,000 ± 10%	4.2	1.6	21	40 X 40 X 10	1-0110015213
DC4010HLL	液压	24V	0.03	0.72	4,000 ± 10%	4.2	1.6	21	40 X 40 X 10	1-0110015214
DC4010SLM	含油	24V	0.04	0.96	5,000 ± 10%	5.2	2.0	24	40 X 40 X 10	1-0110015215
DC4010BLM	滚珠	24V	0.04	0.96	5,000 ± 10%	5.2	2.0	24	40 X 40 X 10	1-0110015216
DC4010HLM	液压	24V	0.04	0.96	5,000 ± 10%	5.2	2.0	24	40 X 40 X 10	1-0110015217
DC4010SLH	含油	24V	0.05	1.2	6,000 ± 10%	6.4	2.8	28	40 X 40 X 10	1-0110015218
DC4010BLH	滚珠	24V	0.05	1.2	6,000 ± 10%	6.4	2.8	28	40 X 40 X 10	1-0110015219
DC4010HLH	液压	24V	0.05	1.2	6,000 ± 10%	6.4	2.8	28	40 X 40 X 10	1-0110015220

DC-4015系列

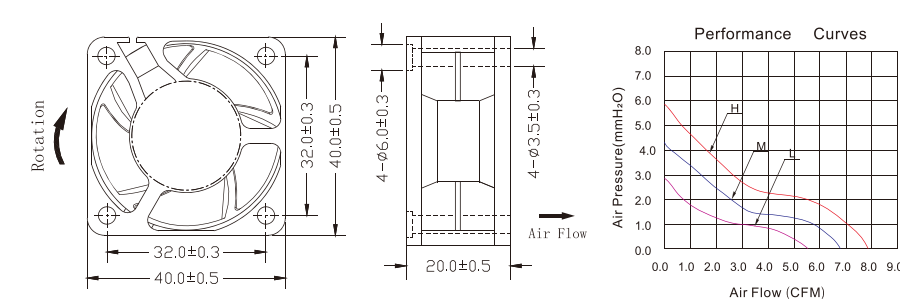


风扇参数说明

- 外框/扇叶材质: 塑料
- 电机保护: 阻抗保护、反极性保护
- 操作温度: 温度:-10°C~70°C 湿度:35%~85%RH
- 一般规格: 引线:UL型 (+)红 (-)黑
- 防火等级: UL 94V-0
- 存储温度: 温度:-40°C~70°C 湿度:35%~85%RH

型号	轴承形式	额定电压 (V)	额定电流 (A)	输入功率 (W)	风扇转速 (RPM)	空气流 (CFM)	静态压力 (mm-H2O)	噪声 (dB-A)	尺寸 (mm)	订货号
DC4015SLL	含油	5V	0.15	0.75	5,000 ± 10%	5.4	4.3	22	40 X 40 X 15	1-0110015221
DC4015BLL	滚珠	5V	0.15	0.75	5,000 ± 10%	5.4	4.3	22	40 X 40 X 15	1-0110015222
DC4015HLL	液压	5V	0.15	0.75	5,000 ± 10%	5.4	4.3	22	40 X 40 X 15	1-0110015223
DC4015SLM	含油	5V	0.18	0.9	6,000 ± 10%	6.45	5.1	26	40 X 40 X 15	1-0110015224
DC4015BLM	滚珠	5V	0.18	0.9	6,000 ± 10%	6.45	5.1	26	40 X 40 X 15	1-0110015225
DC4015HLM	液压	5V	0.18	0.9	6,000 ± 10%	6.45	5.1	26	40 X 40 X 15	1-0110015226
DC4015SLH	含油	5V	0.25	1.25	7,000 ± 10%	7.5	6.0	30	40 X 40 X 15	1-0110015227
DC4015BLH	滚珠	5V	0.25	1.25	7,000 ± 10%	7.5	6.0	30	40 X 40 X 15	1-0110015228
DC4015HLH	液压	5V	0.25	1.25	7,000 ± 10%	7.5	6.0	30	40 X 40 X 15	1-0110015229
DC4015SLL	含油	12V	0.08	0.96	5,000 ± 10%	5.4	4.3	22	40 X 40 X 15	1-0110015230
DC4015BLL	滚珠	12V	0.08	0.96	5,000 ± 10%	5.4	4.3	22	40 X 40 X 15	1-0110015231
DC4015HLL	液压	12V	0.08	0.96	5,000 ± 10%	5.4	4.3	22	40 X 40 X 15	1-0110015232
DC4015SLM	含油	12V	0.1	1.2	6,000 ± 10%	6.45	5.1	26	40 X 40 X 15	1-0110015233
DC4015BLM	滚珠	12V	0.1	1.2	6,000 ± 10%	6.45	5.1	26	40 X 40 X 15	1-0110015234
DC4015HLM	液压	12V	0.1	1.2	6,000 ± 10%	6.45	5.1	26	40 X 40 X 15	1-0110015235
DC4015SLH	含油	12V	0.12	1.44	7,000 ± 10%	7.5	6.0	30	40 X 40 X 15	1-0110015236
DC4015BLH	滚珠	12V	0.12	1.44	7,000 ± 10%	7.5	6.0	30	40 X 40 X 15	1-0110015237
DC4015HLH	液压	12V	0.12	1.44	7,000 ± 10%	7.5	6.0	30	40 X 40 X 15	1-0110015238
DC4015SLL	含油	24V	0.04	0.96	5,000 ± 10%	5.4	4.3	22	40 X 40 X 15	1-0110015239
DC4015BLL	滚珠	24V	0.04	0.96	5,000 ± 10%	5.4	4.3	22	40 X 40 X 15	1-0110015240
DC4015HLL	液压	24V	0.04	0.96	5,000 ± 10%	5.4	4.3	22	40 X 40 X 15	1-0110015241
DC4015SLM	含油	24V	0.05	1.2	6,000 ± 10%	6.45	5.1	26	40 X 40 X 15	1-0110015242
DC4015BLM	滚珠	24V	0.05	1.2	6,000 ± 10%	6.45	5.1	26	40 X 40 X 15	1-0110015243
DC4015HLM	液压	24V	0.05	1.2	6,000 ± 10%	6.45	5.1	26	40 X 40 X 15	1-0110015244
DC4015SLH	含油	24V	0.06	1.44	7,000 ± 10%	7.5	6.0	30	40 X 40 X 15	1-0110015245
DC4015BLH	滚珠	24V	0.06	1.44	7,000 ± 10%	7.5	6.0	30	40 X 40 X 15	1-0110015246
DC4015HLH	液压	24V	0.06	1.44	7,000 ± 10%	7.5	6.0	30	40 X 40 X 15	1-0110015247

DC-4020系列

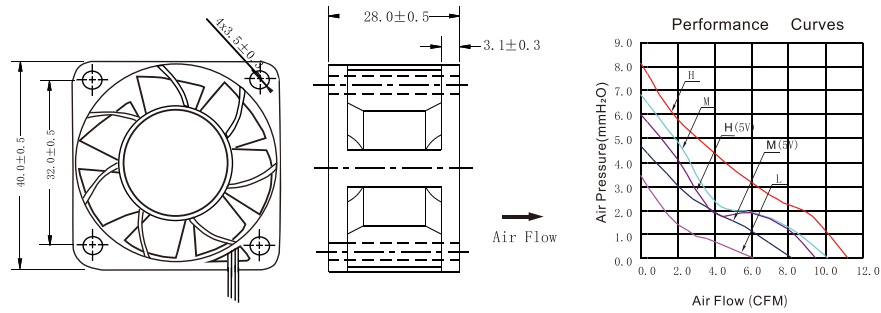


风扇参数说明

- 外框/扇叶材质: 塑料
- 电机保护: 阻抗保护、反极性保护
- 操作温度: 温度:-10°C~70°C 湿度:35%~85%RH
- 一般规格: 引线:UL型 (+)红 (-)黑
- 防火等级: UL 94V-0
- 存储温度: 温度:-40°C~70°C 湿度:35%~85%RH

型号	轴承形式	额定电压 (V)	额定电流 (A)	输入功率 (W)	风扇转速 (RPM)	空气流 (CFM)	静态压力 (mm-H2O)	噪声 (dB-A)	尺寸 (mm)	订货号
DC4020SLL	含油	5V	0.12	0.6	5,000 ± 10%	5.0	2.7	24	40 X 40 X 20	1-0110015248
DC4020BLL	滚珠	5V	0.12	0.6	5,000 ± 10%	5.0	2.7	24	40 X 40 X 20	1-0110015249
DC4020HLL	液压	5V	0.12	0.6	5,000 ± 10%	5.0	2.7	24	40 X 40 X 20	1-0110015250
DC4020SLM	含油	5V	0.15	0.75	6,000 ± 10%	6.2	4.0	27	40 X 40 X 20	1-0110015251
DC4020BLM	滚珠	5V	0.15	0.75	6,000 ± 10%	6.2	4.0	27	40 X 40 X 20	1-0110015252
DC4020HLM	液压	5V	0.15	0.75	6,000 ± 10%	6.2	4.0	27	40 X 40 X 20	1-0110015253
DC4020SLH	含油	5V	0.18	0.9	7,000 ± 10%	7.4	5.6	30	40 X 40 X 20	1-0110015254
DC4020BLH	滚珠	5V	0.18	0.9	7,000 ± 10%	7.4	5.6	30	40 X 40 X 20	1-0110015255
DC4020HLH	液压	5V	0.18	0.9	7,000 ± 10%	7.4	5.6	30	40 X 40 X 20	1-0110015256
DC4020SLL	含油	12V	0.06	0.72	5,000 ± 10%	5.0	2.7	24	40 X 40 X 20	1-0110015257
DC4020BLL	滚珠	12V	0.06	0.72	5,000 ± 10%	5.0	2.7	24	40 X 40 X 20	1-0110015258
DC4020HLL	液压	12V	0.06	0.72	5,000 ± 10%	5.0	2.7	24	40 X 40 X 20	1-0110015259
DC4020SLM	含油	12V	0.07	0.84	6,000 ± 10%	6.2	4.0	27	40 X 40 X 20	1-0110015260
DC4020BLM	滚珠	12V	0.07	0.84	6,000 ± 10%	6.2	4.0	27	40 X 40 X 20	1-0110015261
DC4020HLM	液压	12V	0.07	0.84	6,000 ± 10%	6.2	4.0	27	40 X 40 X 20	1-0110015262
DC4020SLH	含油	12V	0.09	1.08	7,000 ± 10%	7.4	5.6	30	40 X 40 X 20	1-0110015263
DC4020BLH	滚珠	12V	0.09	1.08	7,000 ± 10%	7.4	5.6	30	40 X 40 X 20	1-0110015264
DC4020HLH	液压	12V	0.09	1.08	7,000 ± 10%	7.4	5.6	30	40 X 40 X 20	1-0110015265
DC4020SLL	含油	24V	0.03	1.44	5,000 ± 10%	5.0	2.7	24	40 X 40 X 20	1-0110015266
DC4020BLL	滚珠	24V	0.03	1.44	5,000 ± 10%	5.0	2.7	24	40 X 40 X 20	1-0110015267
DC4020HLL	液压	24V	0.03	1.44	5,000 ± 10%	5.0	2.7	24	40 X 40 X 20	1-0110015268
DC4020SLM	含油	24V	0.03	1.68	6,000 ± 10%	6.2	4.0	27	40 X 40 X 20	1-0110015269
DC4020BLM	滚珠	24V	0.03	1.68	6,000 ± 10%	6.2	4.0	27	40 X 40 X 20	1-0110015270
DC4020HLM	液压	24V	0.03	1.68	6,000 ± 10%	6.2	4.0	27	40 X 40 X 20	1-0110015271
DC4020SLH	含油	24V	0.04	1.92	7,000 ± 10%	7.4	5.6	30	40 X 40 X 20	1-0110015272
DC4020BLH	滚珠	24V	0.04	1.92	7,000 ± 10%	7.4	5.6	30	40 X 40 X 20	1-0110015273
DC4020HLH	液压	24V	0.04	1.92	7,000 ± 10%	7.4	5.6	30	40 X 40 X 20	1-0110015274

DC-4028系列

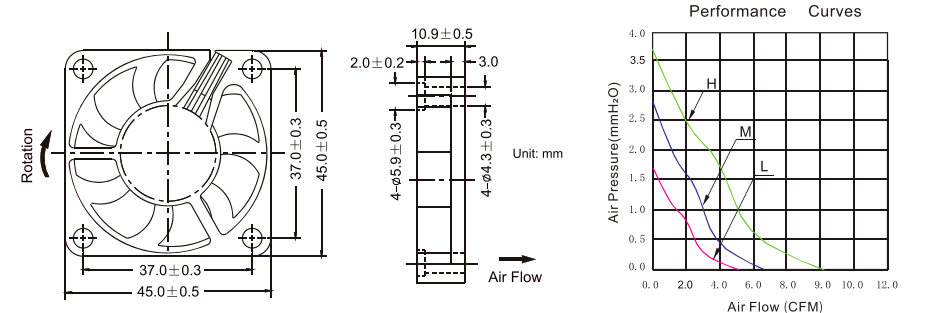


风扇参数说明

- 外框/扇叶材质: 塑料
- 电机保护: 阻抗保护、反极性保护
- 操作温度: 温度:-10°C~70°C 湿度:35%~85%RH
- 一般规格: 引线:UL型 (+)红 (-)黑
- 防火等级: UL 94V-0
- 存储温度: 温度:-40°C~70°C 湿度:35%~85%RH

型号	轴承形式	额定电压 (V)	额定电流 (A)	输入功率 (W)	风扇转速 (RPM)	空气流 (CFM)	静态压力 (mm-H2O)	噪声 (dB-A)	尺寸 (mm)	订货号
DC4028SLL	含油	5V	0.22	1.1	5,000 ± 10%	6.1	3.5	23	40 X 40 X 28	1-0110015275
DC4028BLL	滚珠	5V	0.22	1.1	5,000 ± 10%	6.1	3.5	23	40 X 40 X 28	1-0110015276
DC4028SLM	含油	5V	0.3	1.5	6,500 ± 10%	8.2	4.7	28	40 X 40 X 28	1-0110015277
DC4028BLM	滚珠	5V	0.3	1.5	6,500 ± 10%	8.2	4.7	28	40 X 40 X 28	1-0110015278
DC4028SLH	含油	5V	0.35	1.75	7,500 ± 10%	9.4	6.0	32	40 X 40 X 28	1-0110015279
DC4028BLH	滚珠	5V	0.35	1.75	7,500 ± 10%	9.4	6.0	32	40 X 40 X 28	1-0110015280
DC4028SLL	含油	12V	0.12	1.44	5,000 ± 10%	6.1	3.5	23	40 X 40 X 28	1-0110015281
DC4028BLL	滚珠	12V	0.12	1.44	5,000 ± 10%	6.1	3.5	23	40 X 40 X 28	1-0110015282
DC4028SLM	含油	12V	0.18	2.16	8,000 ± 10%	10.1	6.8	33	40 X 40 X 28	1-0110015283
DC4028BLM	滚珠	12V	0.18	2.16	8,000 ± 10%	10.1	6.8	33	40 X 40 X 28	1-0110015284
DC4028SLH	含油	12V	0.2	2.4	8,800 ± 10%	11.2	8.1	36	40 X 40 X 28	1-0110015285
DC4028BLH	滚珠	12V	0.2	2.4	8,800 ± 10%	11.2	8.1	36	40 X 40 X 28	1-0110015286
DC4028SLL	含油	24V	0.09	2.16	5,000 ± 10%	6.1	3.5	23	40 X 40 X 28	1-0110015287
DC4028BLL	滚珠	24V	0.09	2.16	5,000 ± 10%	6.1	3.5	23	40 X 40 X 28	1-0110015288
DC4028SLM	含油	24V	0.12	2.88	8,000 ± 10%	10.1	6.8	33	40 X 40 X 28	1-0110015289
DC4028BLM	滚珠	24V	0.12	2.88	8,000 ± 10%	10.1	6.8	33	40 X 40 X 28	1-0110015290
DC4028SLH	含油	24V	0.16	3.84	8,800 ± 10%	11.2	8.1	36	40 X 40 X 28	1-0110015291
DC4028BLH	滚珠	24V	0.16	3.84	8,800 ± 10%	11.2	8.1	36	40 X 40 X 28	1-0110015292

DC-4510系列



风扇参数说明

- 外框/扇叶材质: 塑料
- 电机保护: 阻抗保护、反极性保护
- 操作温度: 温度:-10°C~70°C 湿度:35%~85%RH
- 一般规格: 引线:UL型 (+)红 (-)黑
- 防火等级: UL 94V-0
- 存储温度: 温度:-40°C~70°C 湿度:35%~85%RH

型号	轴承形式	额定电压 (V)	额定电流 (A)	输入功率 (W)	风扇转速 (RPM)	空气流 (CFM)	静态压力 (mm-H2O)	噪声 (dB-A)	尺寸 (mm)	订货号
DC4510SLL	含油	5V	0.13	0.65	4,000 ± 10%	5.4	1.6	25	45 X 45 X 10	1-0110015293
DC4510BLL	滚珠	5V	0.13	0.65	4,000 ± 10%	5.4	1.6	25	45 X 45 X 10	1-0110015294
DC4510SLM	含油	5V	0.16	0.8	5,000 ± 10%	6.4	2.7	30	45 X 45 X 10	1-0110015295
DC4510BLM	滚珠	5V	0.16	0.8	5,000 ± 10%	6.4	2.7	30	45 X 45 X 10	1-0110015296
DC4510SLH	含油	5V	0.21	1.05	6,000 ± 10%	9.1	3.8	35	45 X 45 X 10	1-0110015297
DC4510BLH	滚珠	5V	0.21	1.05	6,000 ± 10%	9.1	3.8	35	45 X 45 X 10	1-0110015298
DC4510SLL	含油	12V	0.08	0.96	4,000 ± 10%	5.4	1.6	25	45 X 45 X 10	1-0110015299
DC4510BLL	滚珠	12V	0.08	0.96	4,000 ± 10%	5.4	1.6	25	45 X 45 X 10	1-0110015300
DC4510SLM	含油	12V	0.09	1.08	5,000 ± 10%	6.4	2.7	30	45 X 45 X 10	1-0110015301
DC4510BLM	滚珠	12V	0.09	1.08	5,000 ± 10%	6.4	2.7	30	45 X 45 X 10	1-0110015302
DC4510SLH	含油	12V	0.1	1.2	6,000 ± 10%	9.1	3.8	35	45 X 45 X 10	1-0110015303
DC4510BLH	滚珠	12V	0.1	1.2	6,000 ± 10%	9.1	3.8	35	45 X 45 X 10	1-0110015304
DC4510SLL	含油	24V	0.04	0.96	4,000 ± 10%	4.26	1.23	22.3	45 X 45 X 10	1-0110015305
DC4510BLL	滚珠	24V	0.04	0.96	4,000 ± 10%	4.26	1.23	22.3	45 X 45 X 10	1-0110015306
DC4510SLM	含油	24V	0.07	1.68	5,000 ± 10%	6.4	2.7	30	45 X 45 X 10	1-0110015307
DC4510BLM	滚珠	24V	0.07	1.68	5,000 ± 10%	6.4	2.7	30	45 X 45 X 10	1-0110015308
DC4510SLH	含油	24V	0.09	2.16	6,000 ± 10%	9.1	3.8	35	45 X 45 X 10	1-0110015309
DC4510BLH	滚珠	24V	0.09	2.16	6,000 ± 10%	9.1	3.8	35	45 X 45 X 10	1-0110015310